



Filters / Pro-Clean Single Cartridge and Pro-Clean D.E. Cartridge

FEATURES:

- NSF Listed
- 2" FTP inlet and outlet for more flow
- Raised inlet for clean easy plumbing and extra dirt holding capacity
- Waterway's Safety Lock Ring System for fast, easy access to filter internals
- Lid lock-ring handle makes removing the lid easy and safe
- Internal design for more dirt holding capacity for longer cleaning cycles
- Drain plug is 3/4", can install a standard 3/4" hose valve for draining
- "Start-Service" dial on pressure gauge

Designed for in-ground installations, the Pro-Clean Cartridge Filter has a raised inlet for extra dirt holding capacity and clean easy plumbing from the pump. Molded of ABS thermoplastic, the Pro-Clean Cartridge Filter will provide years of dependable service.



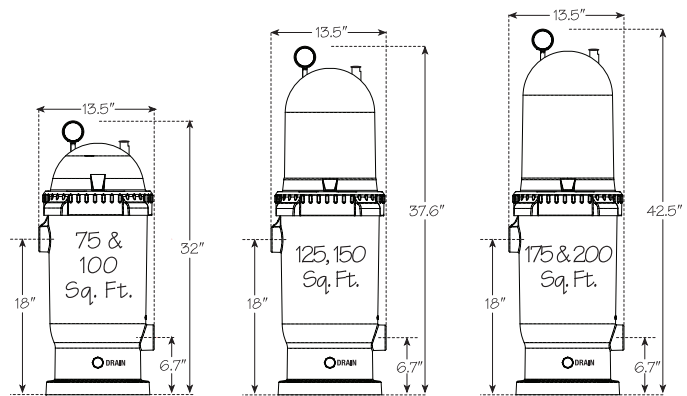
Easy access in-ground cartridge internals

Raised 18" Inlet for clean 90° plumbing from pump

Lock-Ring has handles for easy removal of lid



For replacement parts, see page 121.



Pro-Clean Single Cartridge Filters

Part No.	Size	Flow Rate	Pool Turnover (6 hrs.)	Pool Turnover (8 hrs.)	Weight (lbs.)	List (US \$)
PCCF-075	75 sq. ft.	75 GPM	27,000	36,000	70	427.18
PCCF-100	100 sq. ft.	100 GPM	36,000	48,000	70	513.82
PCCF-125	125 sq. ft.	125 GPM	45,000	60,000	70	628.91
PCCF-150	150 sq. ft.	150 GPM	54,000	72,000	70	729.78
PCCF-175	175 sq. ft.	150 GPM	54,000	72,000	70	819.58
PCCF-200*	200 sq. ft.	150 GPM	54,000	72,000	70	907.09

*Ideal for longer cleaning cycles

The cleaning results of a D.E. with the convenience of a cartridge.

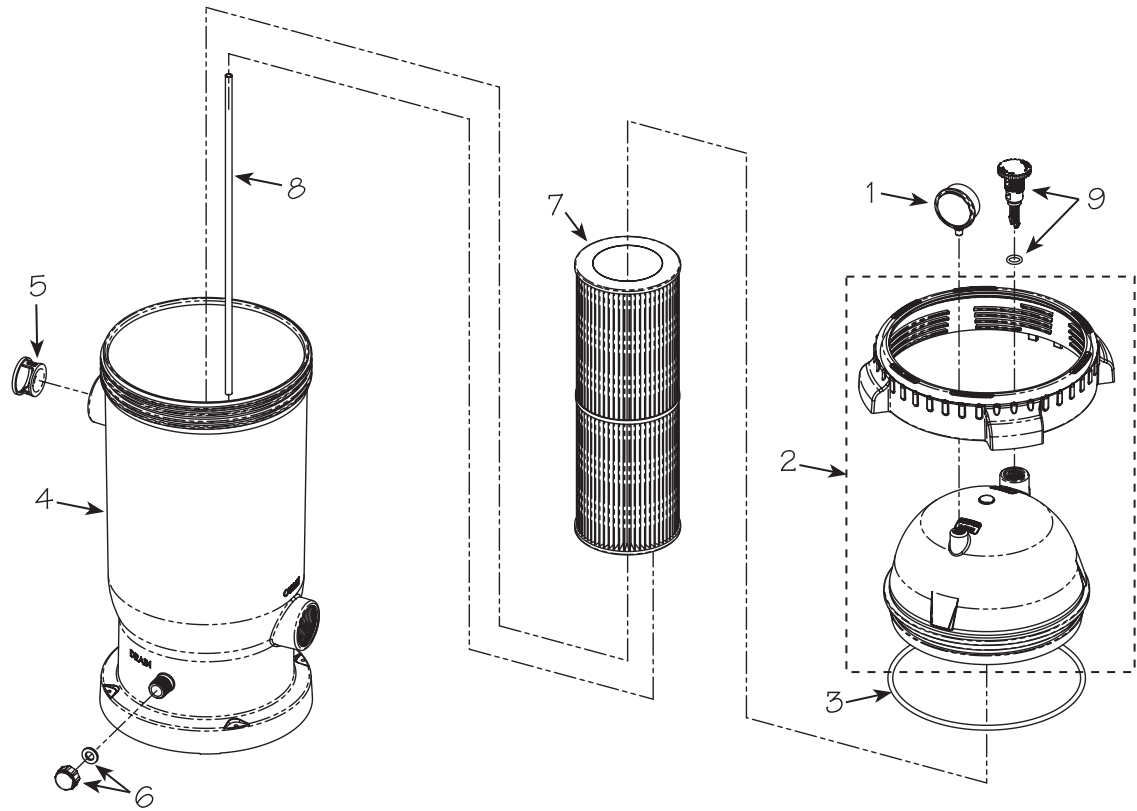
NEW

Pro-Clean D.E. Cartridge Filters

Part No.	Description	List (US \$)
PCDE-30	30 sq. ft. D.E. Cartridge Filter	729.78
PCDE-40	40 sq. ft. D.E. Cartridge Filter	907.09



Replacement Parts / Pro Clean Cartridge Filter



Pro Clean Cartridge Filter Replacement Parts

Item	Part No.	Description	List (US \$)
1	830-2000	Pressure Gauge	18.48
2	550-0211*	Filter Lid and Lock-Ring Assembly - 75 - 100 sq. ft.	186.45
	550-0221*	Filter Lid and Lock-Ring Assembly - 125 - 150 - 200 sq. ft.	223.74
3	805-0448	Lid O-Ring	7.28
4	550-0201**	Filter Body	105.30
5	519-0221	Water Diverter	4.62
6	550-0240	Drain Cap with Gasket Assembly	3.68
7	817-0075P	75 sq. ft. Filter Cartridge	133.63
	817-0100P	100 sq. ft. Filter Cartridge	159.06
	817-0125N	125 sq. ft. Filter Cartridge	194.12
	817-0150N	150 sq. ft. Filter Cartridge	225.06
	817-0175P	175 sq. ft. Filter Cartridge	241.58
	817-0200P	200 sq. ft. Filter Cartridge	268.34
8	872-4000E	PVC Air Bleed Tube - ¼" x 21" - 75-100 sq. ft.	3.88
	872-4000L	PVC Air Bleed Tube - ¼" x 25" - 125-150 sq. ft.	7.33
	872-4000F	PVC Air Bleed Tube - ¼" x 31 ½" - 175-200 sq. ft.	5.81
9	600-0200	Air Release Valve with O-Ring	5.41

* Includes item numbers 2, 3 and 10

** Includes item numbers 4, 5, 6 and 7